

As an industry-leading energy digital intelligence operator and energy storage system solution provider, Sermatec is committed to ensuring the safe and efficient operation of energy digital intelligence and energy storage system through advanced energy interconnection technology and power electronics technology.

- Core Team - Years of Experience: **15+**
- Proprietary Intellectual Property Rights: **100+**
- Countries and Regions of Customers: **30+**
- Proportion of R&D Personnel: **70%**

EASYCUBE Series 372kWh Commercial & Industrial ESS SMT-ESS-CUBE372

Battery rack consists of 8 battery modules and one control box, chiller, fire protection, etc. BMS is composed of BMU and BCU. BMS gathers status data from cell, module and rack, and exchange information with other components.

Battery module consists of 1P52S Battery Cell and one BMU. Control Box responses for controlling the main power line.



Product Features

- PACK-level fire protection, ensuring high safety
- Cabinet body rated at IP55, suitable for outdoor complex scenarios
- Flexible deployment and plug-and-play, shortening the construction period
- Intelligent battery health management (health assessment, safety early-warning, service life prediction), comprehensive control of system operation status and risks, and safe operation and maintenance
- High-speed scheduling response and inter-cluster cell temperature difference of $\leq 3^{\circ}\text{C}$, significantly improving the battery life



Data Center



Commercial Buildings



Industrial Parks



Pv, Storage & Charging
Integration



Distribution Grid Expansion

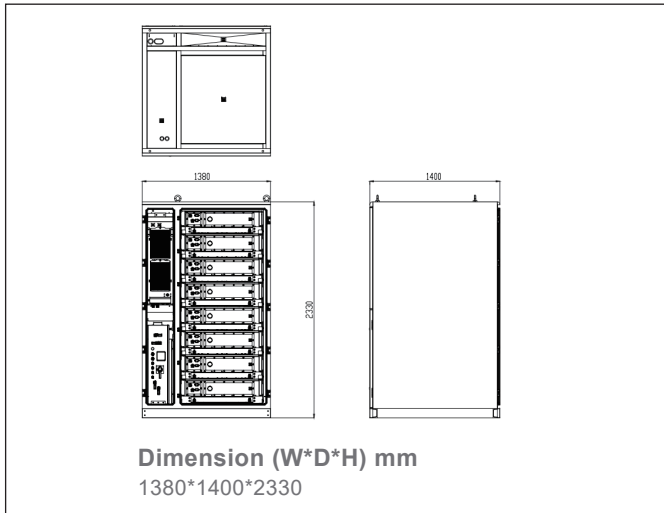
Technical Data

Product Type

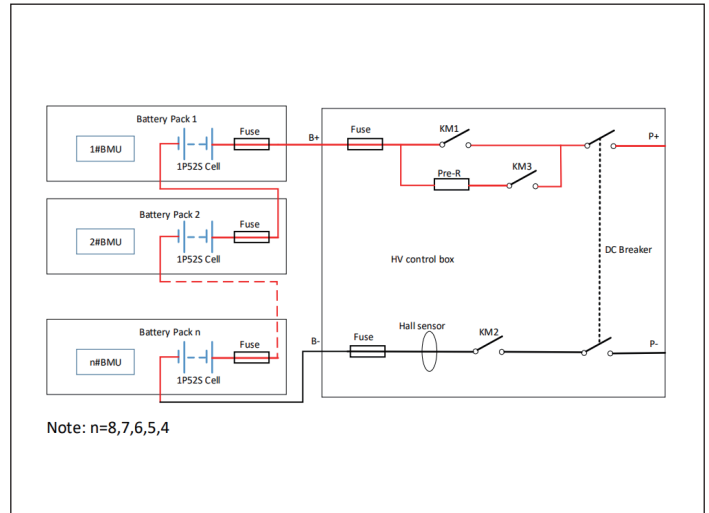
SMT-ESS-CUBE372

Nominal Voltage (V)	1331.2
Nominal Capacity (kWh)	372
Nominal Power (kW)	186
Series And Parallels In System	1P416S
Liquid-cooling Modules In Series	8
Protection Level	IP55
Dimension (W*D*H) mm	1380*1400*2330
Weight (kg)	3700
Temperature Range (°C)	-20~45
Communication Port	RS485, CAN, Ethernet
Designed life-cycle (Years)	>10

Installation Dimensions



Circuit Diagram



Disclaimer: The content of the Manual is for reference only. In case of any change, please refer to the actual product.

